

Datasheet | Live-end connector, left

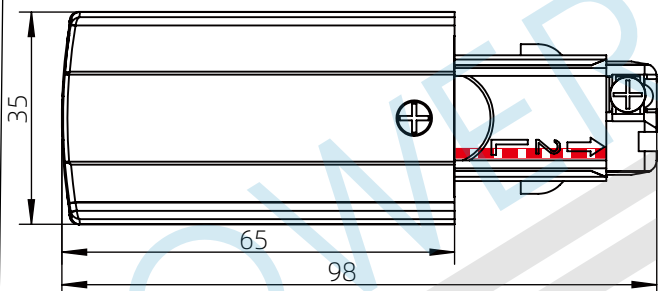


Picture for reference only

| | |
|--------------------|--------------------------------|
| Product code | PRO-0431L |
| Color | Black / Grey / White |
| Color code | RAL 9011 / 7040 / 9010 |
| Main materials | PC UL94V0+Copper |
| Inner package QTY | N/A |
| Unit weight | 0.061 kg |
| Outer package QTY | 150 PCS |
| Gross weight | 9.54 Kg |
| Package size | 600*255*255 mm |
| Voltage & Max.load | 220-250V/16A(EU), 120V/20A(US) |

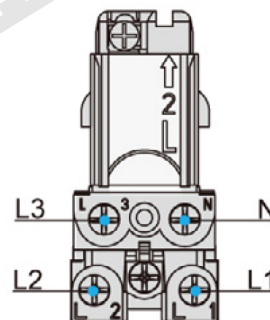
Dimensions(mm)

Connecting Diagram

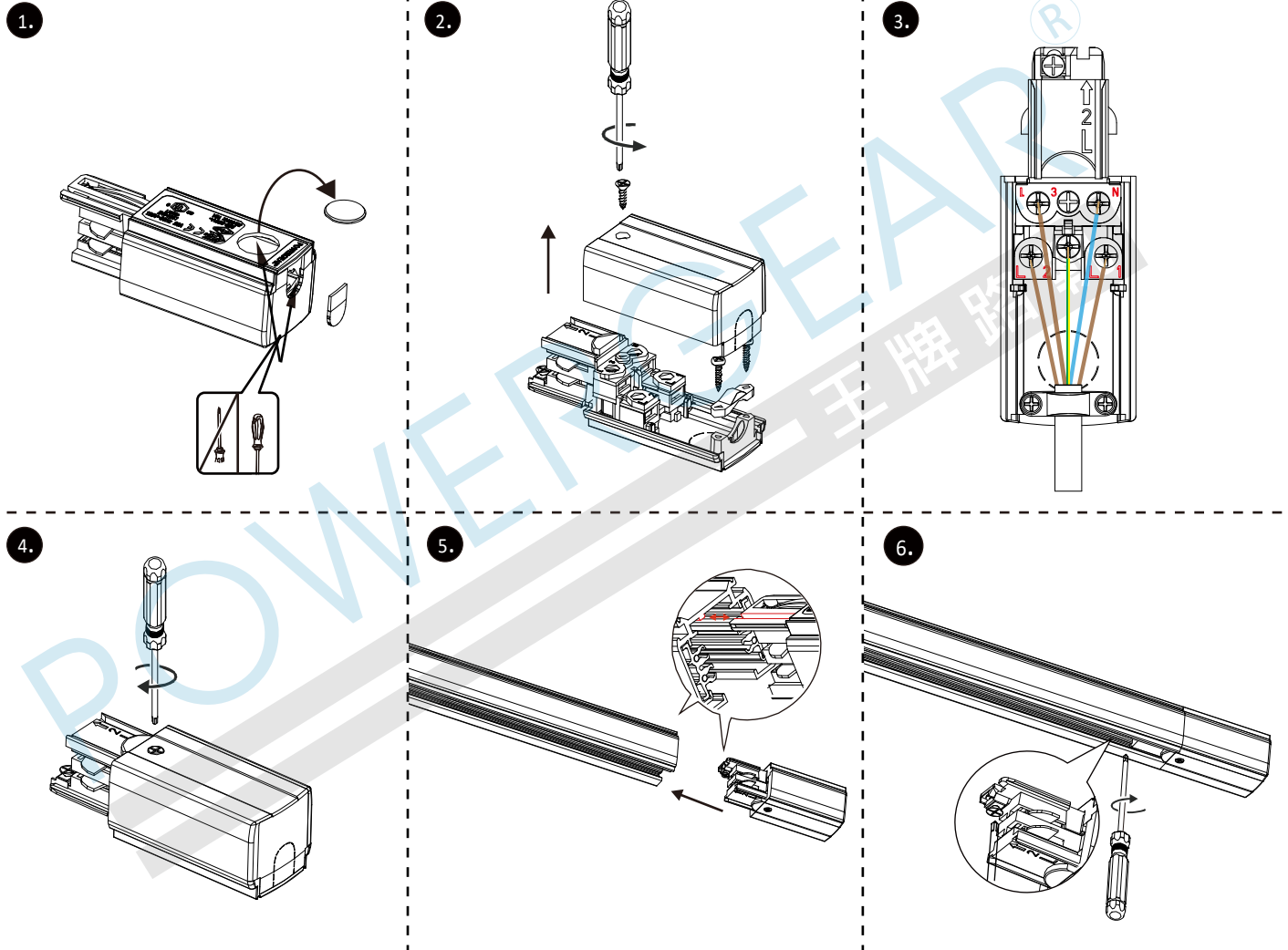


red line on the diagram indicates the polarity ridge

Notes:
Apply to POWERGEAR
4 wires 3 circuits
track system



Installation please read carefully before installing



Troubleshooting

If the track system is out of power, or the voltage value is abnormal, please check whether the following abnormal conditions exist in the installation:

1. Please ensure the direction of Live end "L" or "R" is installed correctly, and ensure the "concave" is aligned with the "convex" stripe in the track.
2. Please ensure the Live end "L" or "R" is installed into the track and the copper flaps are connected to the copper wires.
3. Please ensure the terminals "N" "L1" "L2" "L3" "G" inside of Live end are wired correctly and firmly.

Disclaimer

1. It is forbidden to apply paint, glue, etc. to this product.
2. This product is suitable for indoors, not outdoors.
3. It is recommended to use POWERGEAR track system, compatibility with other track system is not guaranteed.
4. If the structure or wiring of this product is not used/modified according to the instructions, resulting in damage to this product or related products, POWERGEAR doesn't continue to maintain the after-sales commitment.
5. Product optimization and version upgrade will not be prior noticed. Please refer to the actual product received. If you have any questions, please contact our sales staff in time.
6. POWERGEAR reserves the right of final interpretation of this product.