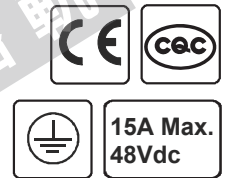
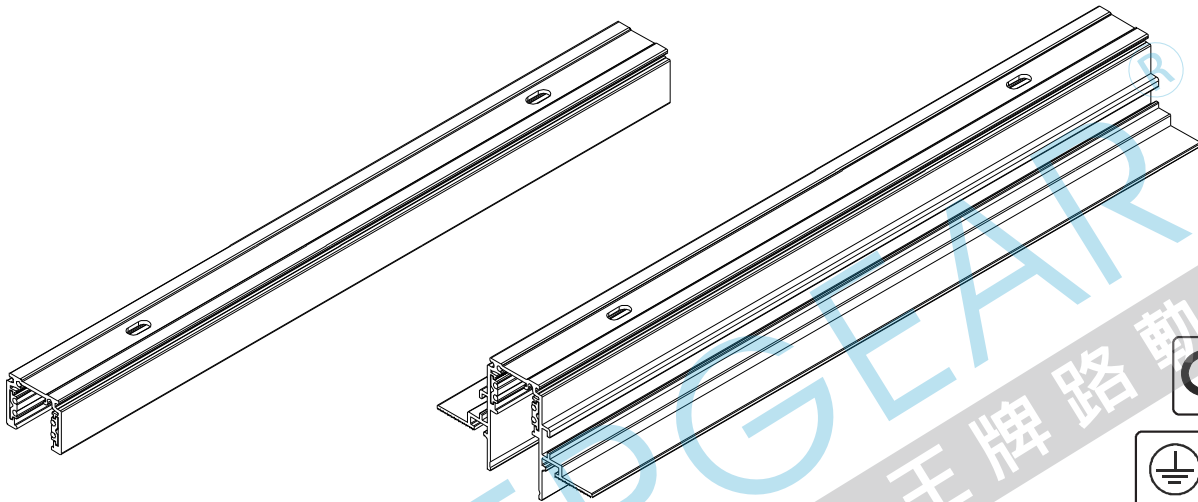
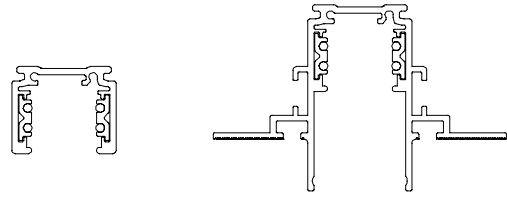
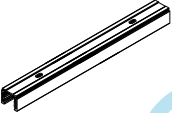
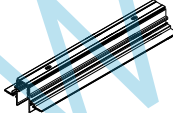
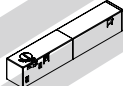

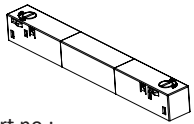
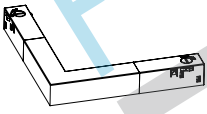
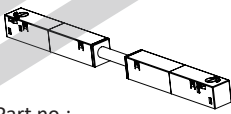



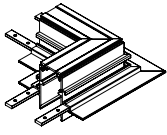
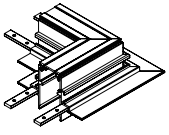
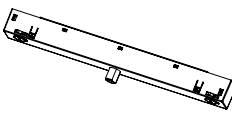
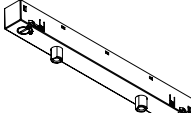


Track system and accessories description

**IMPORTANT INFORMATION-Please read carefully before installing the track system!**

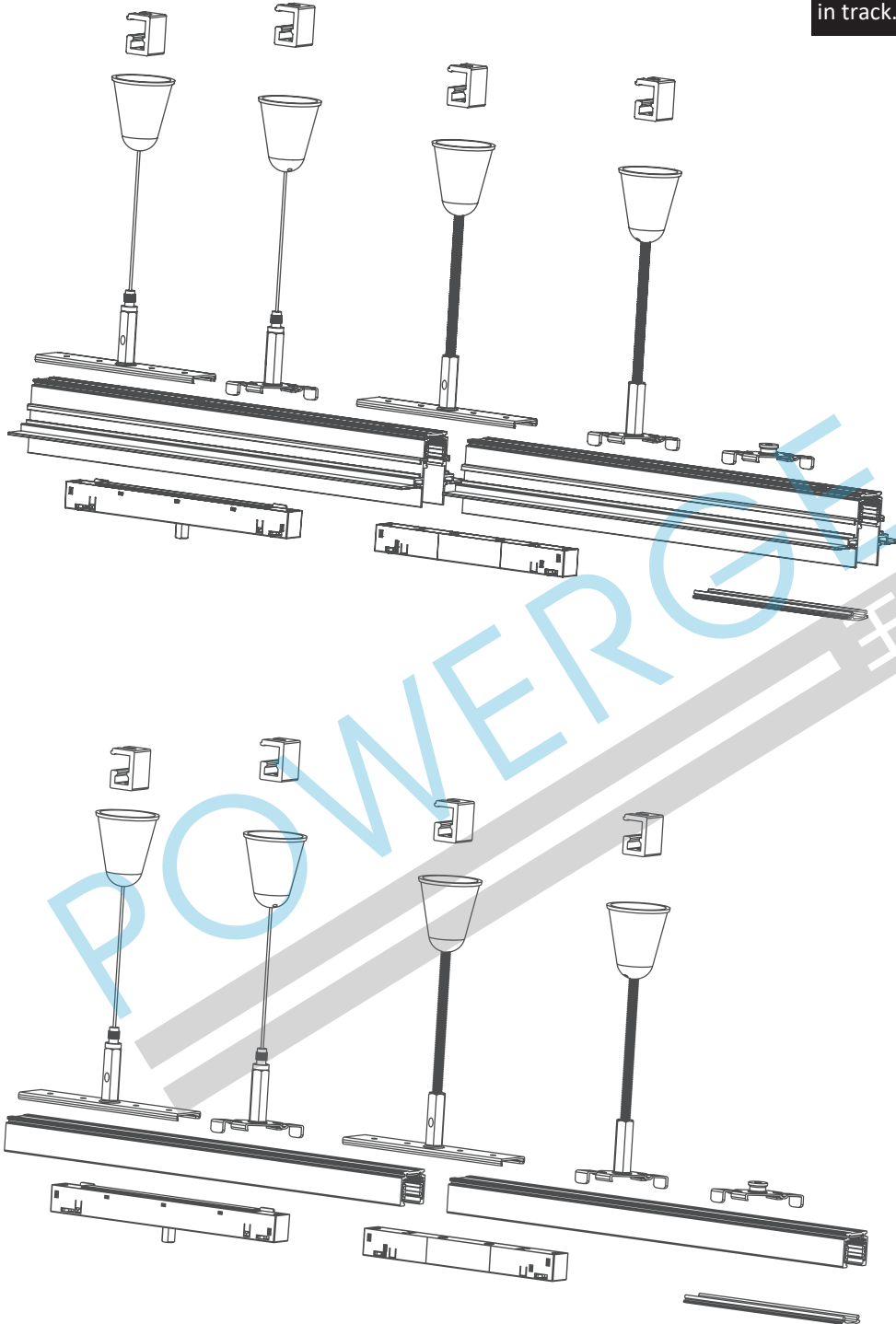
- \* For indoor use only and in dry and dust-free spaces. System is rated IP20
- \* Follow the installation instruction, Do not exceed the application scope of the track system
- \* Use the accessories only compatible with this track system
- \* Shall only be installed by professional authorized installers
- \* Use only one power feeding at one point on a system, Do not change the internal connections
- \* Read this instruction carefully when installation difficulty, Do not force installation to cause other problems



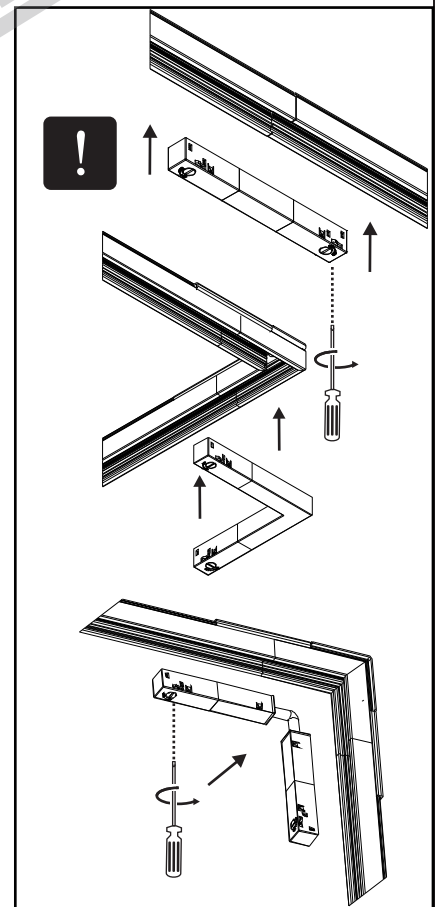
 Part no.: PRO-N1XX-W/B/S XX: 10, 20, 30, ... W/B/S: white/black/silver	 Part no.: PRO-RN1XX-W/B/S XX: 10, 20, 30, ... W/B/S: white/black/silver	 Part no.: PRO-N131-W/B/S W/B/S: white/black/silver	 Part no.: PRO-N132-W/B/S W/B/S: white/black/silver	 Part no.: PRO-N133-W/B/S W/B/S: white/black/silver
 Part no.: PRO-RN135-W/B/S W/B/S: white/black/silver	 Part no.: PRO-N139-W/B/S W/B/S: white/black/silver	 Part no.: PRO-RN132-W/B/S W/B/S: S: white/black/silver	 Part no.: PRO-EZN147-W/B/S W/B/S: white/black/silver	 Part no.: PRO-EZN148-W/B/S W/B/S: white/black/silver
 Part no.: PRO-N135FL-W/B/S W/B/S: white/black/	 Part no.: PRO-N135FR-W/B/S W/B/S: white/black/silver	 Part no.: PRO-N140A-W/B/S W/B/S: white/black/silver	 Part no.: PRO-N140B-W/B/S W/B/S: white/black/silver	<div style="background-color: black; color: white; padding: 5px; text-align: center; font-weight: bold;">MORE...</div> For more product information, please contact us .

Track system connection diagram

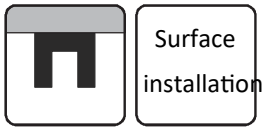
ensure the connector is installed correctly,  
and the flaps are connected to the coppers  
in track.



Lock connector please use the special  
screwdriver that comes with the package!

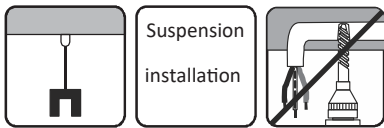
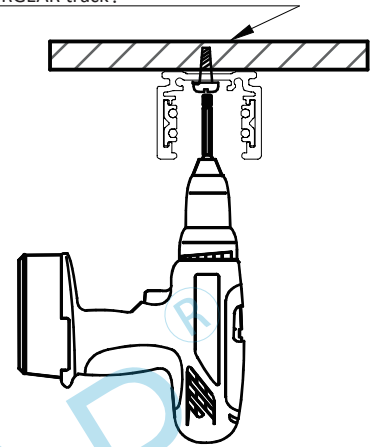
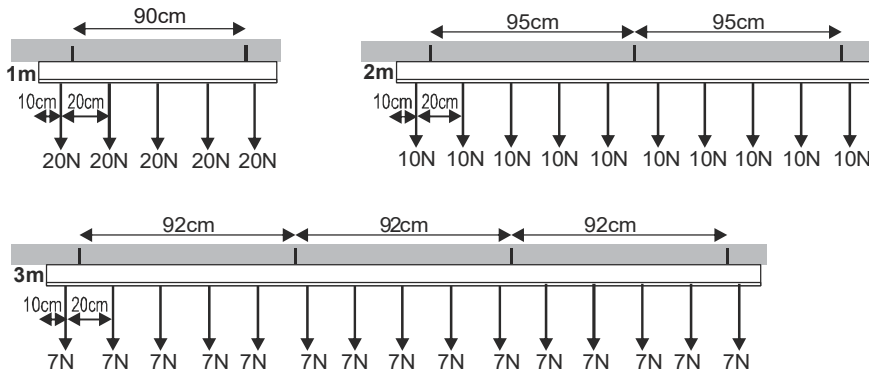


Track installation

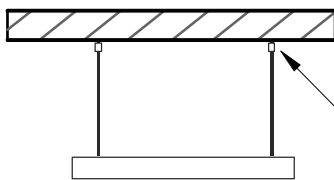
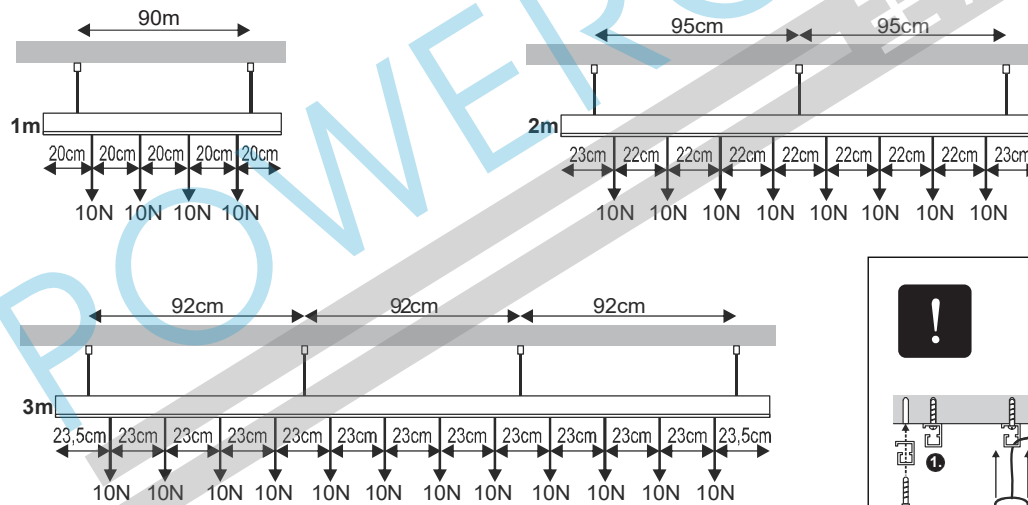


Surface installation

According to the material of the building surface, confirm to use self-tapping screw or use the accessories package attached with POWERGEAR track!

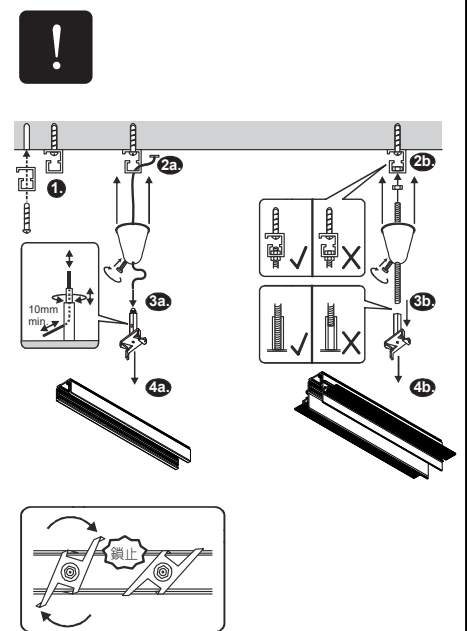


Suspension installation

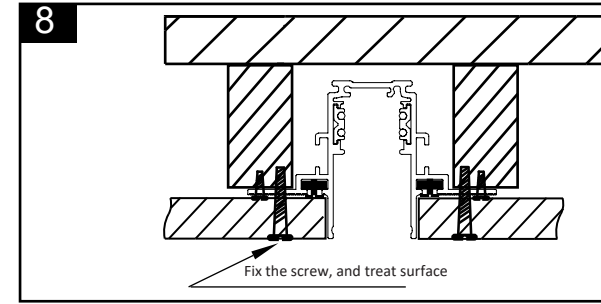
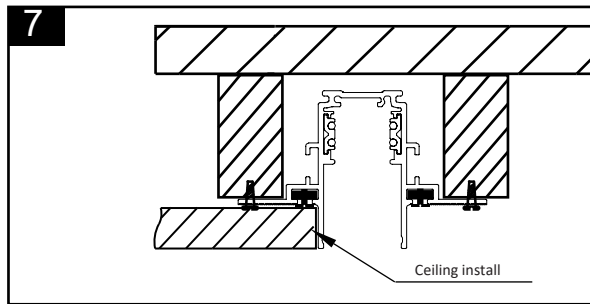
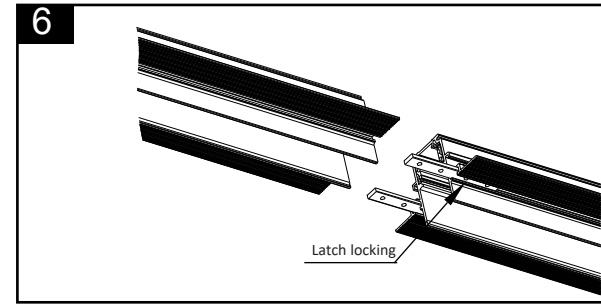
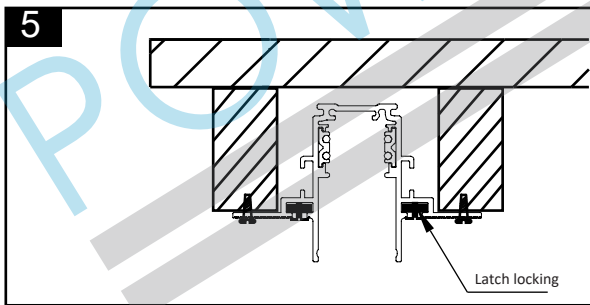
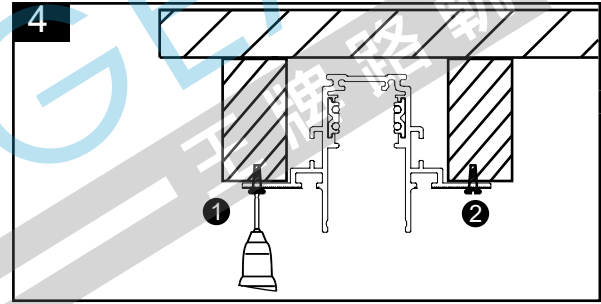
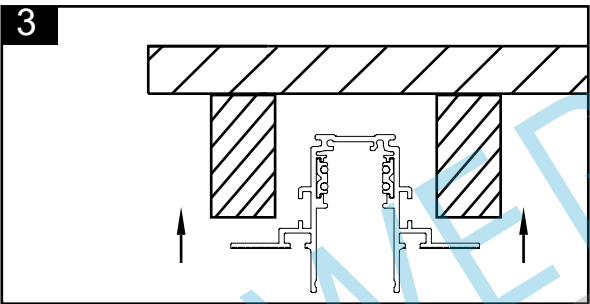
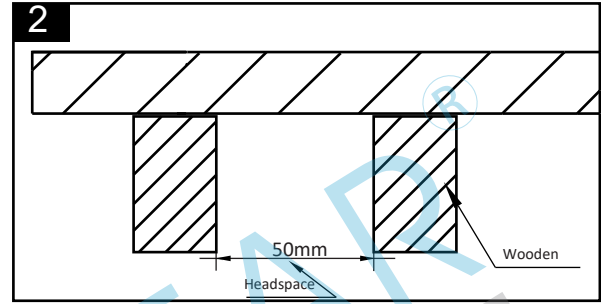
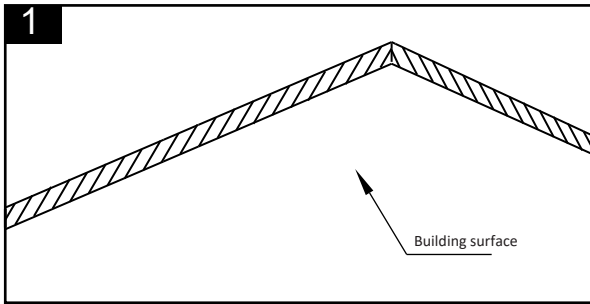
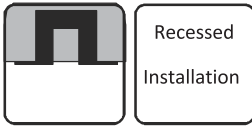


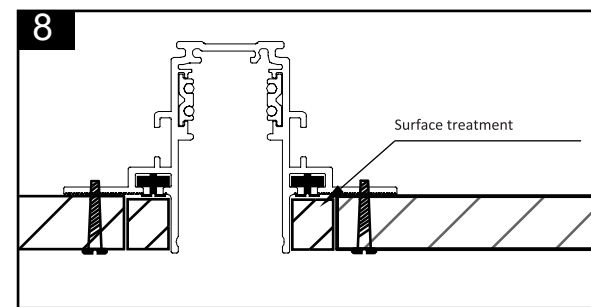
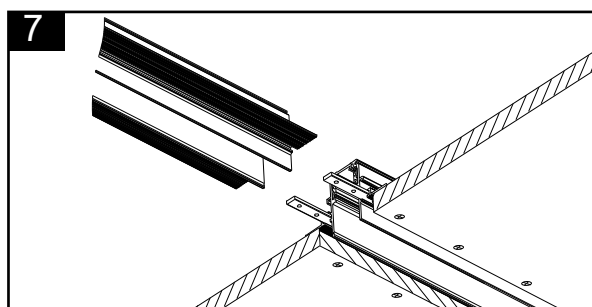
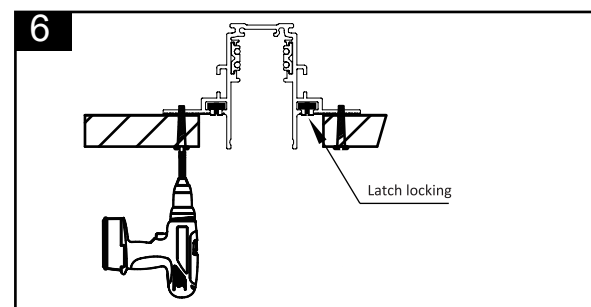
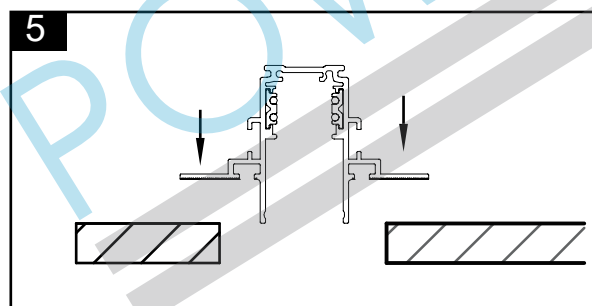
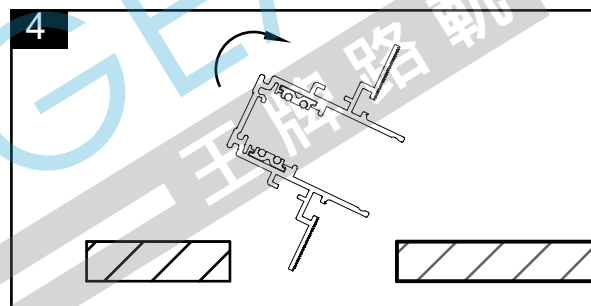
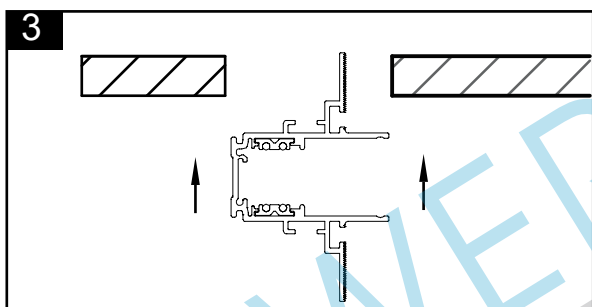
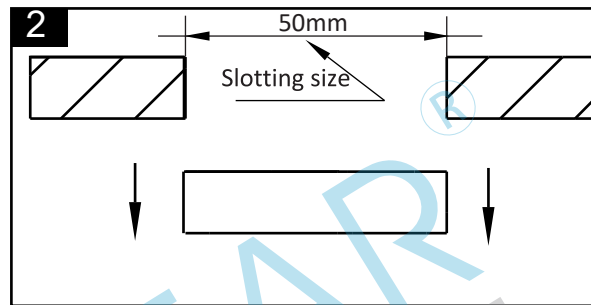
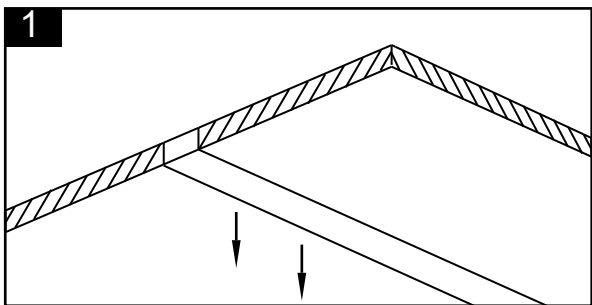
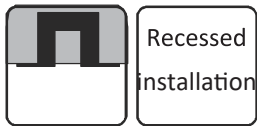
According to the material of the building surface, confirm to use self-tapping screw or use the accessories package attached with POWERGEAR track! !

The surface track can be suspended directly, which requires the suspension kits provided by POWERGEAR!



48V Recessed track system(Installation beforehand)



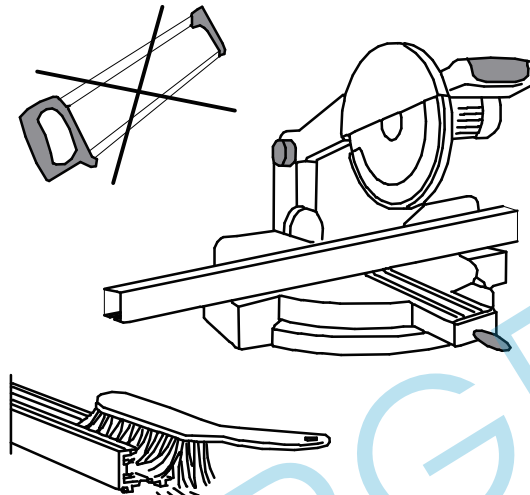
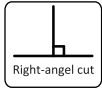


## Connectors & track cutting

Please choose the right connectors for connection.

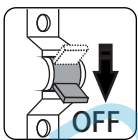
- \* Connect the right coppers in the track before power on.
- \* To avoid the damage of connectors and wrong circuit connection. Do not force insert the connectors to the track.
- \* Please consult POWERGEAR technical support center for any questions!

Technical support : +86 769 8989588-8005  
E-mail : sales@powergear.com.cn

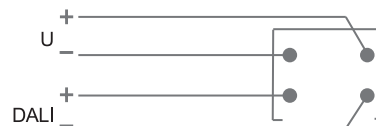


Cut the track to correct length and clean the cutted edge accurate!

## Indication of power connection



48V 2\*15A Max.



48V 15A Max.

## Troubleshooting

If there is no power in the loop of the track system, please check whether there are any following abnormalities in the installation :

1. Make sure that the power feed is installed correctly and the knob adjusted to the "ON" position ;
2. Make sure that the points "V+" "V-" "D+" "D-" connected correctly and tightly ;
3. If 0-10V dimming doesn't work , please make sure if the points "D+" "D-" are connected correctly ;
4. When taking out, firstly please adjust the knob to the "OFF" position.

## Exceptions

1. It is recommended to use the original track system. Compatibility with other track system is not guaranteed;
2. Before use, please be familiar with the installation instructions of the product and follow the installation instructions ;
3. The product is only suitable for indoor, not outdoor;
4. Do not apply paint or glue to the product.